

# LD59

## Square Recessed Low Glare Interior/Exterior Wall Light



Data sheet - Page 1

LD59 replaces the LD10234, it offers the same low glare, broad illumination and is rated IP67 for both internal and external projects. The square recessed wall light uses a single LED for a soft edge beam with no multiple shadows. It comes as standard with a polished 1.5mm stainless steel bezel with no visible fixings, creating an attractive fitting for indoor or outdoor use. The specular reflector gives a diffused wash of light onto a path or floor with minimal glare.

### Please note:

- For a higher powered version, please see our LD175 which offers close to 4 x the brightness from the same size package.

### Key Features

- Very broad diffused beam shape
- IP67 as standard
- Low glare with the LED and diffuser assembly recessed deep within the fitting
- Typical 93 CRI in 3000K warm white
- Polished 316 stainless steel bezel as standard, with an optional brushed or yacht grade mirror finish available
- RAL colour paint finishes available
- No visible fixings. Comes as standard with spring clips
- Optional first fix concrete-in back box
- Available with remote Switch, 0-10V, DMX, Dali or Mains dimmable drivers

### Specification

#### Applications

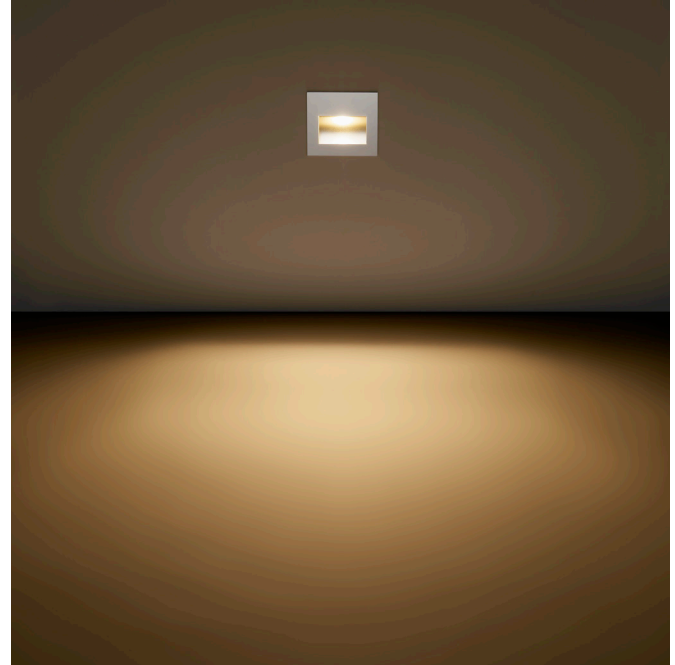


LED type	1 x Cree XPG2					
Colour temperature	2700K** / 3000K			5000K		
Drive Current (mA)	350	500	700	350	500	700
LED power* (W)	1.2W	1.7W	2.4W	1.2W	1.7W	2.4W
CRI (typical)	93	93	93	75	75	75
Forward voltage (V) <sub>100</sub>	3.0V	3.2V	3.4V	3.0V	3.2V	3.4V
Delivered lumens** (L <sub>100</sub> )	74	101	135	80	109	146
Lumens per circuit watt	62	59	56	67	64	61
LED lifetime (to 70% lumen maintenance)	50,000hrs at a max ambient temperature of 45°C					
Materials	Machined hard anodised aluminium body with a 316 stainless steel bezel (other options available)					
Glass	2mm thick borofloat glass					
Wiring	Comes pre-wired with 2 core 250mm lead, can be specified with up to 10m at extra cost					
IP rating	IP67					

\*LED wattage includes losses associated with using an 85% efficient driver

\*\* 2700K lumen output is 12% lower than the 3000K figure listed

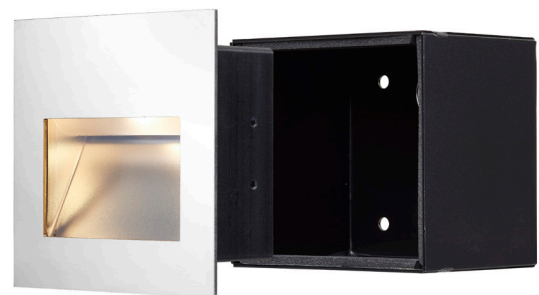
4000K lumen output is 14% higher than the 3000K figure listed (80 CRI)



#### /SC - Spring clips



#### /CB - Concrete box



# LD59



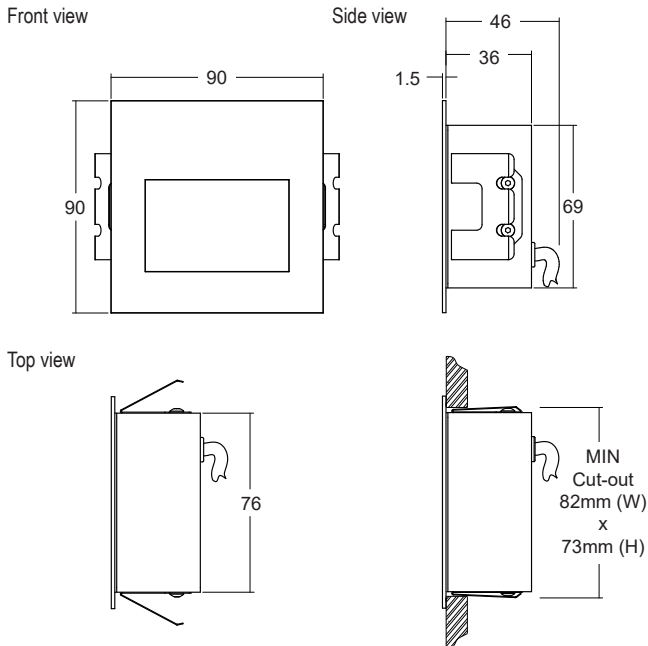
Square Recessed Low Glare Interior/Exterior Wall Light

Data sheet - Page 2

## Dimensions and Fixing Options

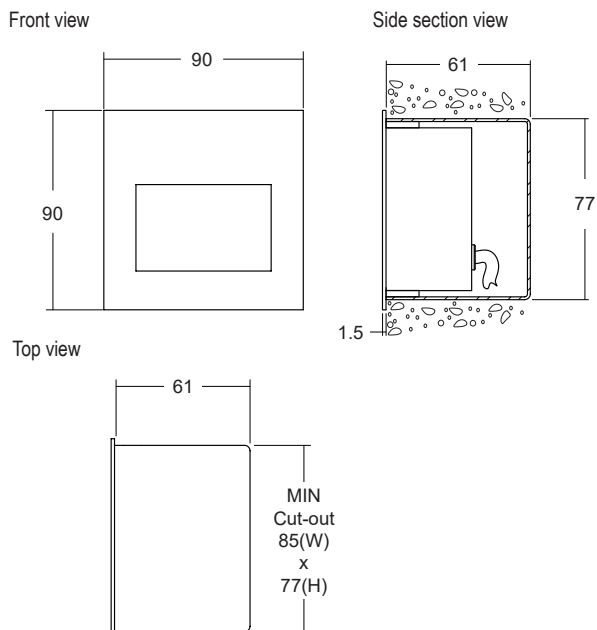
### /SC - Spring clips

Spring clips are supplied as standard when the concrete-in box is not specified. This fixing option is suitable for the majority of installations.



### /CB - Concrete-in back box

First fix concrete-in box offers the ability to create the correct void in a concrete wall necessary to fit the LD59. There is space behind the product to make connections (internal use only). Please note spring clips are not supplied when the concrete-in box is specified. The fitting is held in place with a silicone gasket provided within the box.



## Photometrics

Photometric files are included in the design pack which can be downloaded from the LD59 product page on the website.

## Order Codes and Options

Product code	LED colour	Finish	Fixing
LD59 - 350 - 500 - 700			

Example: LD59-700 / LW30 / Stainless steel / SC

### Product codes with output options

1.2W LED at 350mA	LD59-350
1.7W LED at 500mA	LD59-500
2.4W LED at 700mA	LD59-700

### LED colour options

LED colour options	Suffix
Super Warm White (2200K)	/LW22
Extra Warm White (2700K)	/LW27
Warm White (3000K)	/LW30
White (4000K) - on request	/LW40
Cool White (5000K)	/LW50

\*Other LED colour temperatures are available. Please speak to a member of our sales team.

### Bezel

Polished stainless steel 316
Polished and passivated stainless steel 316 (marine grade polish)
Brushed and passivated stainless steel 316
Paint finish white / black / RAL

### Fixing Options

Spring clips	/SC
Concrete-in back box	/CB

### Use with 350mA, 500mA and 700mA constant current LED drivers

We have a wide range of dimmable LED drivers, 0-10V, DMX, DALI and Mains dimmable. Please see the downloads section on our website:

To run 1-14 LD59-350 in series use a TXDEL350D (0-10V dimmable)

To run 1-14 LD59-500 in series use a TXDEL500D (0-10V dimmable)

To run 1-13 LD59-700 in series use a TXDEL700D (0-10V dimmable)